

//STANDARD SENSORS, CUBIC HOUSING

SMALL DESIGNS FOR BIG REQUIREMENTS

These standard cubic sensors can be universally applied for a wide variety of detection tasks. Cubic designs are available in both plastic and metal housings.

/// IS 288



With a laterally aligned sensor field, space and cost-saving integration is possible. Using our special supports, the sensors can even be mounted in the groove of an ITEM profile.



Benefits:

- Laterally aligned sensor field for space and hence cost-saving integration
- Short response times for reliable detection in dynamic processes to increase machine productivity

Switching sensors

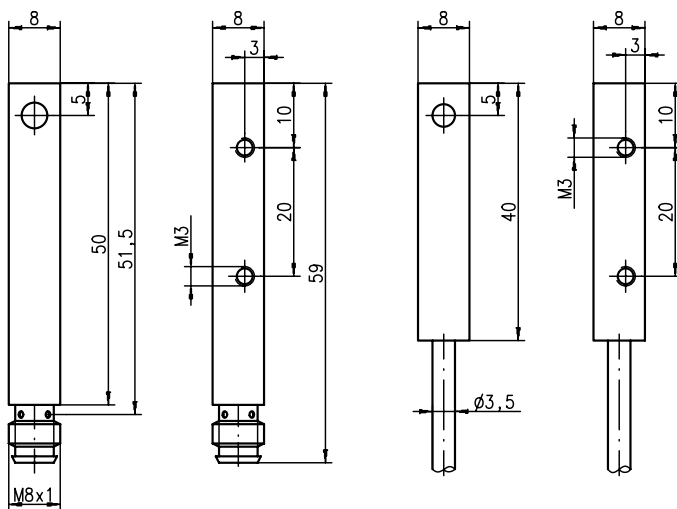
Measuring sensors

Part no.	Part description	Operating range Sa Typ. operating range limit Sn	Switching frequency	Type of installation	Switching output 1	Description	Connection	Material
50112890	IS 288MP/4NO-3E0-S8.3	0 ... 2.4 mm 3 mm	1,000 Hz	Embedded	Transistor, PNP, make-contact (NO)	DC	Connector, M8, 3-pin	Metal
50112889	IS 288MP/4NO-3E0	0 ... 2.4 mm 3 mm	1,000 Hz	Embedded	Transistor, PNP, make-contact (NO)	DC	Cable, 2,000 mm, 3-wire	Metal
50113783	IS 288MP/4NC-2E0	0 ... 1.6 mm 2 mm	3,000 Hz	Embedded	Transistor, PNP, break-contact (NC)	DC	Cable, 2,000 mm, 3-wire	Metal
50112888	IS 288MP/4NO-2E0-S8.3	0 ... 1.6 mm 2 mm	3,000 Hz	Embedded	Transistor, PNP, make-contact (NO)	DC	Connector, M8, 3-pin	Metal
50112887	IS 288MP/4NO-2E0	0 ... 1.6 mm 2 mm	3,000 Hz	Embedded	Transistor, PNP, make-contact (NO)	DC	Cable, 2,000 mm, 3-wire	Metal
50112886	IS 288MP/4NO-1E5-S8.3	0 ... 1.2 mm 1.5 mm	5,000 Hz	Embedded	Transistor, PNP, make-contact (NO)	DC	Connector, M8, 3-pin	Metal
50112885	IS 288MP/4NO-1E5	0 ... 1.2 mm 1.5 mm	5,000 Hz	Embedded	Transistor, PNP, make-contact (NO)	DC	Cable, 2,000 mm, 3-wire	Metal
50113208	IS 288MP/2NO-1E5	0 ... 1.2 mm 1.5 mm	5,000 Hz	Embedded	Transistor, NPN, make-contact (NO)	DC	Cable, 2,000 mm, 3-wire	Metal

Products for safety at work

Identification

Dimensioned drawings: IS 288



IS 288 series

Data transmission / Control components

Industrial image processing

Accessories